

Indoor Dome Camera

www.boschsecurity.com



BOSCH
Invented for life



- ▶ Excellent resolution (700 TVL)
- ▶ Lens choice
- ▶ Clean images under variable light
- ▶ Day/Night performance with switchable filter
- ▶ Easy install

The VDC-251/261 Day/Night camera is a compact, stylish surveillance dome that offers excellent resolution in variable lighting conditions. The high performance 1/3-inch CCD camera is available with a 3.6 mm fixed lens or a 2.8 to 12 mm varifocal lens. The camera is an ideal solution for demanding scene conditions. The Day/Night feature ensures the highest image quality possible at any time. Depending on the available light, the camera automatically switches from color to monochrome.

The camera is easy to install and can be adjusted around 3 axes. Privacy zones and motion detection functions can be set up in the handy camera menu system.

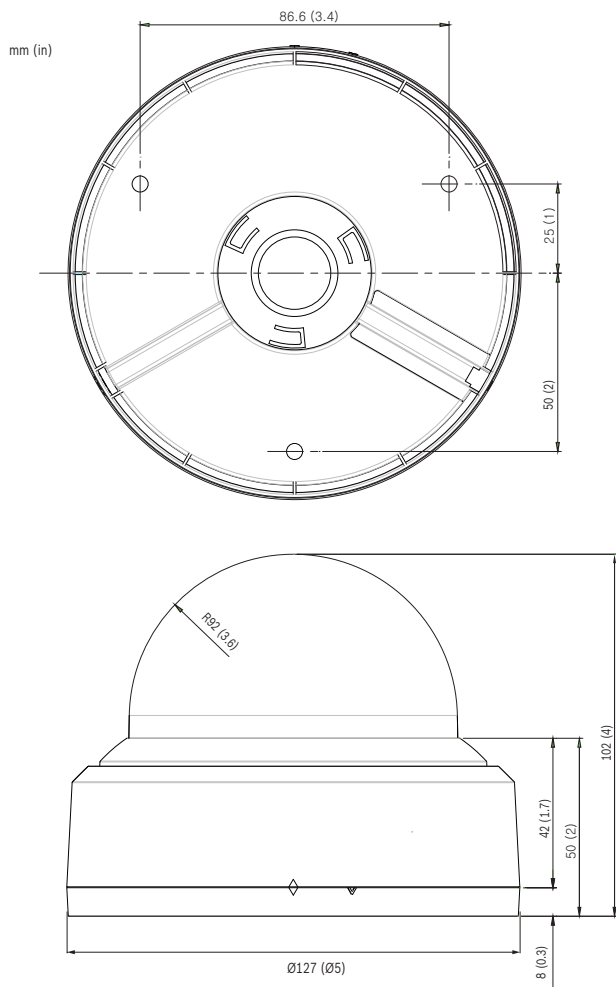
Certifications and approvals

Standards

	FCC Part 15:2013
	EN61000-3-2:2014
	EN61000-3-3:2013
	EN55024:2010
	EN50130-4:2011

	EN55022:2010
	EN60950-1:2006 + A11:2009 + A1:2010 + A12:2011 + A2:2013
Region	Certification
Europe	CE Indoor 251_261

Installation/configuration notes



Technical specifications

System	PAL or NTSC
Effective pixels (H x V)	752 x 582 (PAL) 768 x 494 (NTSC)
Image Sensor	1/3-inch High sensitivity CCD
Video Output	Composite: 1 Vpp, 75 Ohm
Sync. System	Internal sync., Line-lock
S/N Ratio (sharpness, AGC off)	50 dB min.
Horizontal resolution	700 TVL
Lens type (VDC-251)	Fixed f=3.6 mm
Lens type (VDC-261)	Varifocal f=2.8 to 12 mm
Minimum Illumination Varifocal lens (F1.4, 30IRE, AGC max.)	0.05 lx (color) 0.005 lx (ICR, B/W)
Minimum Illumination	0.15 lx (color)

Fixed lens (F2.0, 30IRE, AGC max.)	0.05 lx (ICR, B/W)
ESC	1/50 – 1/120,000 (PAL) 1/60 – 1/120,000 (NTSC)
Manual Shutter	1/50(60), 1/100(120), 1/250, 1/500, 1/700, 1/1k, 1/1.6K, 1/2.5K, 1/5K, 1/7K, 1/10K, 1/30K, 1/60K, 1/120K
DNR	Off, Low, Middle, High
White Balance	ATW, Manual, Push
SBLC	Off, Low, Middle, High
AGC	On, Off
Day/Night	Auto, Color, B/W, Ext.
Burst	On, Off
Motion detection	On, Off (4 programmable zones)
Privacy	On, Off (4 programmable zones)
Mirror	On (horizontal), Off
Sharpness	1 - 20
Gamma	0.35, 0.45, 0.6, 0.75
OSD language	English, Chinese
Lens type	DC iris / manual lens
Supply Voltage	24 VAC (±10%) 12 VDC (±10%)
Power Consumption	3.6 W max. / 0.3 A
Operating Temperature	-10 °C to +50 °C (14 °F to +122 °F)
Operating Humidity	30% to 80% RH
Storage Temperature	-20 °C to +60 °C (-4 °F to +140 °F)
Storage Humidity	20% to 90% RH

Ordering information

VDC-251F04-10 Dome Camera, 3.6mm lens, PAL

Compact analog indoor dome camera with true day/night surveillance. 12VDC/24VAC; 3.6 mm fixed lens; 700 TVL; PAL

Order number **VDC-251F04-10**

VDC-251F04-20 Dome Camera, 3.6mm lens, NTSC

Compact analog indoor dome camera with true day/night surveillance. 12VDC/24VAC; 700 TVL; 3.6 mm fixed lens; NTSC

Order number **VDC-251F04-20**

VDC-261V04-10 Dome Camera, 2.8-12 mm lens, PAL

Compact analog indoor dome camera with true day/night surveillance. 12VDC/24VAC; 700 TVL; varifocal 2.8 to 12 mm lens; PAL

Order number **VDC-261V04-10**

VDC-261-V04-20 Dome Camera, 2.8-12 mm lens, NTSC

Compact analog indoor dome camera with true day/night surveillance. 12VDC/24VAC; 700 TVL; varifocal 2.8 to 12 mm lens; NTSC

Order number **VDC-261-V04-20**

Accessories

VDA-WMT-AIDOME Indoor Wall Mount

Indoor wall mount

Order number **VDA-WMT-AIDOME**

VDA-PMT-AIDOME Indoor Pipe Mount

Indoor pendant pipe mount for dome cameras (use together with the appropriate adapter bracket)

Order number **VDA-PMT-AIDOME**

VDA-CMT-PTZDOME Corner Mount Adapter

Corner mount adapter for use with the appropriate wall mount to attach a camera onto an indoor or outdoor pole (mast)

Order number **VDA-CMT-PTZDOME**

LTC 9213/01 Pole Mount Adapter

Flexible pole mount adapter for camera mounts (use together with the appropriate wall mount bracket). Max. 9 kg (20 lb); 3 to 15 inch diameter pole; stainless steel straps

Order number **LTC 9213/01**

Represented by:

North America:

Bosch Security Systems, Inc.
130 Perinton Parkway
Fairport, New York, 14450, USA
Phone: +1 800 289 0096
Fax: +1 585 223 9180
security.sales@us.bosch.com
www.boschsecurity.us

Europe, Middle East, Africa:

Bosch Security Systems B.V.
P.O. Box 80002
5617 BA Eindhoven, The Netherlands
Phone: + 31 40 2577 284
Fax: +31 40 2577 330
emea.securitysystems@bosch.com
www.boschsecurity.com

Asia-Pacific:

Robert Bosch (SEA) Pte Ltd, Security Systems
11 Bishan Street 21
Singapore 573943
Phone: +65 6571 2808
Fax: +65 6571 2699
apr.securitysystems@bosch.com
www.boschsecurity.asia

China:

Bosch (Shanghai) Security Systems Ltd.
203 Building, No. 333 Fuquan Road
North IBP
Changning District, Shanghai
200335 China
Phone +86 21 22181111
Fax: +86 21 22182398
www.boschsecurity.com.cn

Latin America and Caribbean:

Robert Bosch Ltda Security Systems Division
Via Anhanguera, Km 98
CEP 13065-900
Campinas, Sao Paulo, Brazil
Phone: +55 19 2103 2860
Fax: +55 19 2103 2862
latam.boschsecurity@bosch.com
www.boschsecurity.com