

# VDA-WMT-AIDOME Indoor Wall Mount

[www.boschsecurity.com](http://www.boschsecurity.com)



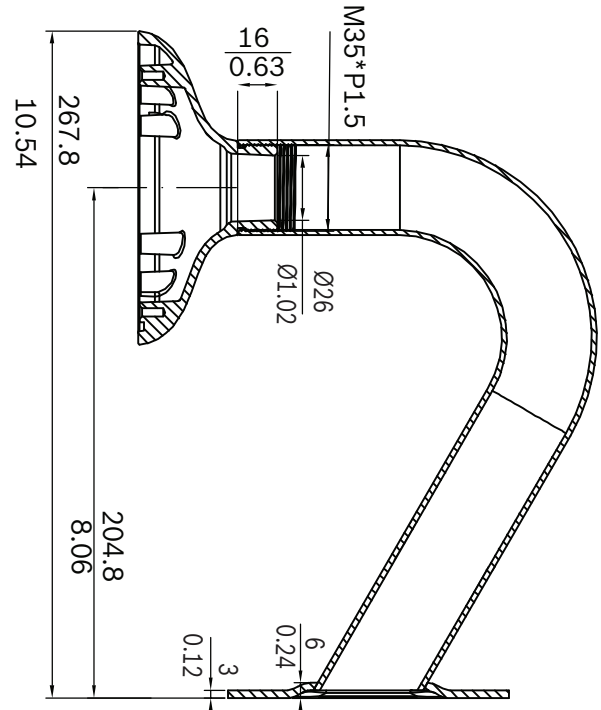
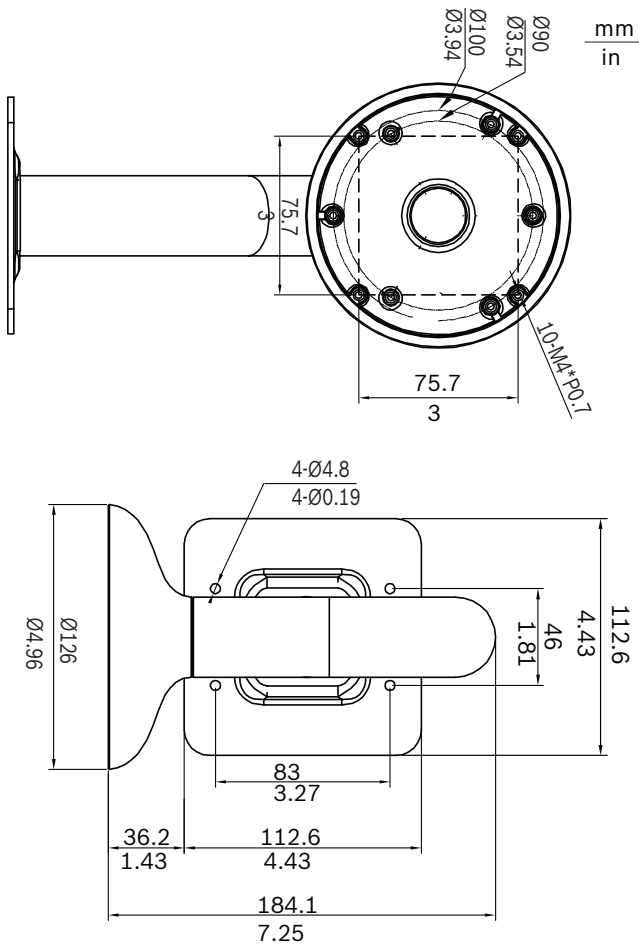
**BOSCH**

Invented for life



- ▶ Hollow core for cable-free appearance
- ▶ Sturdy construction
- ▶ Attractive appearance
- ▶ Easy installation

Installation/configuration notes



Parts included

The packaging contains:

Item
1x Mount
Attachment components

Technical specifications

Construction material	Aluminum alloy
Finish	RAL 9003 signal white

Ordering information

VDA-WMT-AIDOME Indoor Wall Mount

Indoor wall mount

Order number VDA-WMT-AIDOME

Represented by:

**Americas:**  
Bosch Security Systems, Inc.  
130 Perinton Parkway  
Fairport, New York, 14450, USA  
Phone: +1 800 289 0096  
Fax: +1 585 223 9180  
security.sales@us.bosch.com  
www.boschsecurity.us

**Europe, Middle East, Africa:**  
Bosch Security Systems B.V.  
P.O. Box 80002  
5617 BA Eindhoven, The Netherlands  
Phone: + 31 40 2577 284  
Fax: +31 40 2577 330  
emea.securitysystems@bosch.com  
www.boschsecurity.com

**Asia-Pacific:**  
Robert Bosch (SEA) Pte Ltd, Security  
Systems  
11 Bishan Street 21  
Singapore 573943  
Phone: +65 6571 2808  
Fax: +65 6571 2699  
apr.securitysystems@bosch.com  
www.boschsecurity.asia

**China:**  
Bosch (Shanghai) Security Systems Ltd.  
203 Building, No. 333 Fuquan Road  
North IBP  
Changning District, Shanghai  
200335 China  
Phone +86 21 22181111  
Fax: +86 21 22182398  
www.boschsecurity.com.cn

**America Latina:**  
Robert Bosch Ltda Security Systems Division  
Via Anhanguera, Km 98  
CEP 13065-900  
Campinas, Sao Paulo, Brazil  
Phone: +55 19 2103 2860  
Fax: +55 19 2103 2862  
latam.boschsecurity@bosch.com  
www.boschsecurity.com